



IPSO®

HIGH-EFFICIENT SOFTMOUNT WASHER-EXTRACTORS

IY65 | IY80 | IY105 | IY135

FEATURES

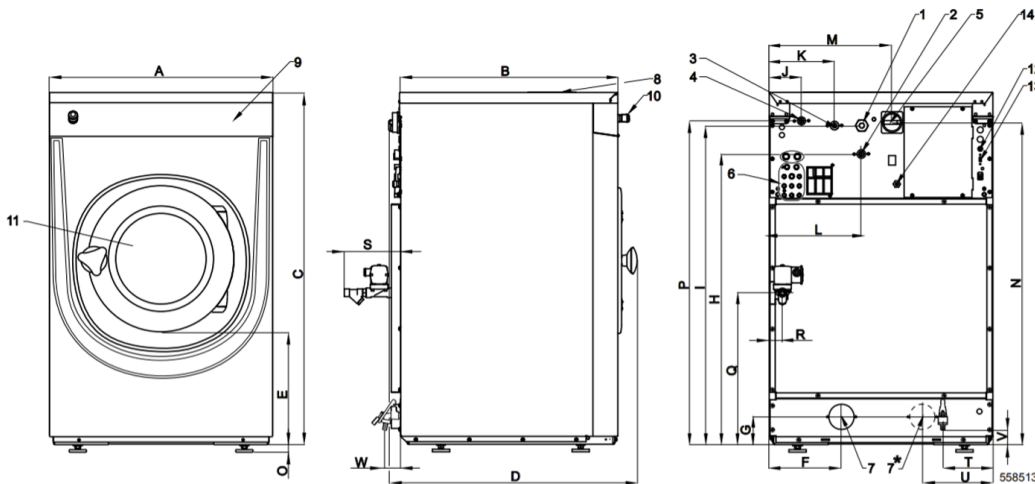
- Freestanding, high spin
- Fully programmable Aries controller
- Integrated detergent signal board
- Integrated programmable heating elements
- Stainless steel top and front panel, black side panels
- Stainless steel drum and tub
- Large gravity drain (Ø 76 mm)
- Large door opening for easy loading & unloading



visit laundrysolutions.com.au

	IY65	IY80	IY105	IY135
Control Option	Aries	Aries	Aries	Aries
Drum				
Capacity (kg)	6.5	8	11	14
Volume (L)	65	80	105	135
Door Opening	Ø 330 mm	Ø 330 mm	Ø 410 mm	Ø 410 mm
Spin Type	High Speed	High Speed	High Speed	High Speed
Install Requirements				
Electrical Requirements	20 Amp – 415 Volt – 3-phase Isolating Switch at 1.8m off floor	20 Amp – 415 Volt – 3-phase Isolating Switch at 1.8m off floor	20 Amp – 415 Volt – 3-phase Isolating Switch at 1.8m off floor	20 Amp – 415 Volt – 3-phase Isolating Switch at 1.8m off floor
Water Recommendations (Hot)	1x Standard 19mm Washing Machine Tap	1x Standard 19mm Washing Machine Tap	1x Standard 19mm Washing Machine Tap	1x Standard 19mm Washing Machine Tap
Water Recommendations (Cold)	1x Standard 19mm Washing Machine Tap	1x Standard 19mm Washing Machine Tap	1x Standard 19mm Washing Machine Tap	1x Standard 19mm Washing Machine Tap
Water Pressure	Minimum = 44PSI (3 Bar) Maximum = 72PSI (5 Bar)	Minimum = 44PSI (3 Bar) Maximum = 72PSI (5 Bar)	Minimum = 44PSI (3 Bar) Maximum = 72PSI (5 Bar)	Minimum = 44PSI (3 Bar) Maximum = 72PSI (5 Bar)
Drain	Ø 76mm through floor	Ø 76mm through floor	Ø 76mm through floor	Ø 76mm through floor
Foundations	Minimum 100mm M20 Grade Concrete	Minimum 100mm M20 Grade Concrete	Minimum 100mm M20 Grade Concrete	Minimum 100mm M20 Grade Concrete
Transport Data				
Gross Weight (KG)	180	200	235	275
Net Weight (KG)	170	185	210	255
Dimensions (mm)	1115 (h) x 710 (w) x 740 (d)	1115 (h) x 710 (w) x 790 (d)	1225 (h) x 795 (w) x 795 (d)	1225 (h) x 795 (w) x 945 (d)
Packing Dimensions (mm)	1245 (h) x 750 (w) x 840 (d)	1245 (h) x 750 (w) x 840 (d)	1345 (h) x 835 (w) x 840 (d)	1345 (h) x 835 (w) x 985 (d)
Optional Plinth	485 mm (height) 6 mm (thickness) Ø 16 mm (bolt hole)	485 mm (height) 6 mm (thickness) Ø 16 mm (bolt hole)	490 mm (height) 6 mm (thickness) Ø 16 mm (bolt hole)	490 mm (height) 6 mm (thickness) Ø 16 mm (bolt hole)

(MM)	A	B	C	D	E	F	G	H	I	J	K	L	M	N	O
IY60	710	676	1115	740	349	230	82	914	1004	113	218	293	390	1020	24
IY80	710	726	1115	790	349	230	88	920	1010	113	218	293	390	1020	24
IY105	795	761	1225	795	342	230	88	1030	1120	103	208	293	475	1130	24
IY135	795	911	1225	945	342	230	88	1030	1120	103	208	293	475	1130	24



FRONT

SIDE

BACK

1. Electrical connection
2. Hot water
3. Cold water hard
4. Cold water soft
5. Main switch
6. Liquid soap connection
7. Drain
8. Soap dispenser
9. Control panel
10. Button CENTRALSTOP
11. Door opening
12. Fuses
13. USB port
14. Electrical connection to liquid soap pumps